



||LO2 LED STREET LIGHT
SUITABLE FOR EUROPEAN STREETS





100+ Patent Certificates
\$1,000,000+ Annual Energy Saving
10,000+ Projects Successfully Installed

OVER YEARS 
10 EXPERIENCE
www.aokledlight.com

> Features of IL02 Series

IL02 series is design for street lighting, especially for the European market. Precision engineered individual lenses made of optical grade polycarbonate for maximum light intensity, micro-lens systems produce IESNA Type II, Type III, Type IV distributions. Luminaries produces 0% total lumens above 90 ° (BUG Rating, U=0), Delivers improved visual comfort by lower glare and providing a wider smoother and more uniform light output.

- 10KV~20KV surge protection
- Powdering/PC + tempered glass
- Buckle design, easy maintenance
- Fin shape radiator, better heat dissipation
- Optical systems maintain an IP66 rating

UP TO 160 lm/W	L70 >100000hrs @ 25°C	100-277V 50/60HZ	THD ≤10%	Class I AND Class II
• 2700K • 3000K • 4000K • 5000K • 5700K • 6500K	CRI 70/80/90	ULR =0	 DIM	SAFETY PROTECTION AUTO TURN-OFF
Working Temperature Environment -40°C~55°C (-40°F~131°F)	IP66 IK08	3G VIBRATION TESTING		



**Illuminate
Your
Future**

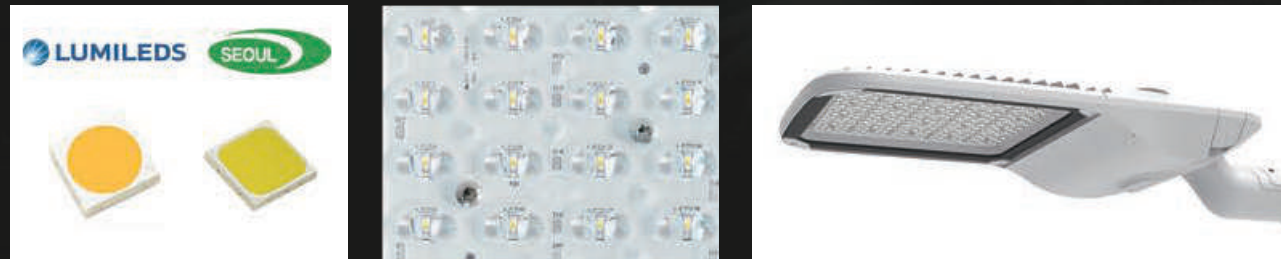
5 **10** **WARRANTY**
5 Year Limited Warranty,
10 Year Preferred Warranty.
Please consult with our sales for detailed agreement.

wally@aokledlight.com
+1 626-986-4050 (US)
+86 755 2357 9148 (CN)
©2022 AOK LED LIGHT CO., LTD. All Right Reserved.

AOK[®]
Quality, Honesty, Service and Innovation

> Photometric Design

- Optimized, premium optical grade Mitsubishi polycarbonate lens, the efficient design of the modules make each light engine highly customizable, allowing the light distribution to be aimed toward the application.
- Optical systems allow for versatility, tight cutoffs, and flexible control for a wide variety of applications.
- We deliver innovation and customization, further expanding the flexibility of the project. Exceptional uniformity and low glare for maximum comfort and neighbor-friendly.



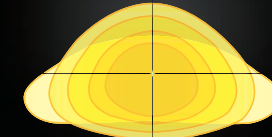
- The photometric engine takes advantage of the latest generation of mid-power LEDs and dedicated optics for professional applications.
- Combined with Lumileds 3030(5050)/Seoul 3030(5050) it provides an alternative solution for those who are looking for very cost-effective yet efficient lighting while keeping the same luminaire design.

Distribution

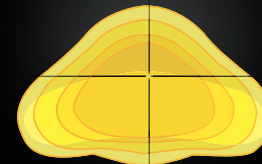
TYPE II (T201)



TYPE II (T211)



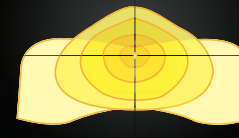
TYPE II (T221)



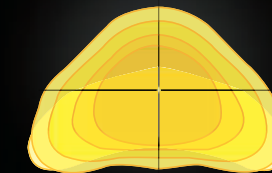
TYPE III (T301)



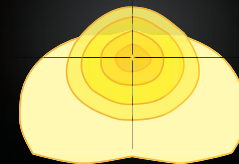
TYPE III (T311)



TYPE III (T321)



TYPE IV (T411)

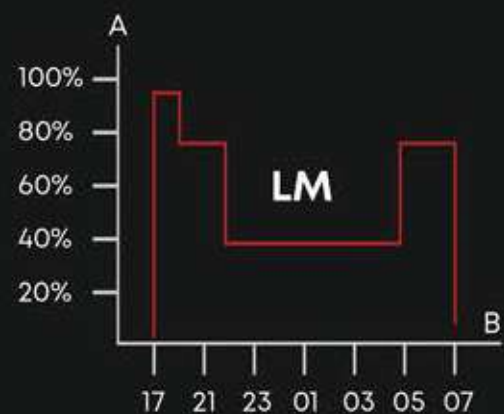


> Control Systems

Custom Dimming Profile

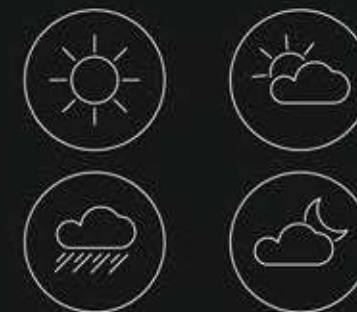
Intelligent luminaire drivers can be programmed with complex dimming profiles. With customized combinations of time intervals and light levels are possible. This feature does not require any extra wiring.

The period between switching on and switching off is used to activate the preset dimming profile. The customised dimming system generates maximum energy savings while respecting the required lighting levels and uniformity throughout the night.



Daylight Sensor / Photocell

Photocell or daylight sensors switch the luminaire on as soon natural light falls to a certain level. It can be programmed to switch on during a storm, on a cloudy day (in critical areas) or only at nightfall so as to provide safety and comfort in public spaces.



Smart standards. Smarter lighting.

LoRaWAN® Luminaire Controller Zhaga (Optional)

It is an easily installable wireless device for remote control of the LED luminaires. Device is equipped with Zhaga compliant connector and controls the luminaire through DALI or DALI-2 interface. Controller is available now for LoRaWAN®, NB-IoT and LTE-M network. Modern and small design makes it excellent fit to various street lighting modules.

LoRaWAN® Luminaire Controller NEMA (Optional)

LoRaWAN® Luminaire Controller NEMA is a remote control device for LED luminaires equipped with ANSI C136.41 NEMA receptacle. The luminaire is controlled through DALI or 0..10V analog control interfaces, while providing a reliable power interconnect with three robust twist lock contacts.

Buckle design, tool-less entry hinged removable door for easy maintenance.

Fin shape radiator, better heat dissipation

A sensor mounting hole is reserved on the top to facilitate future installation.



> Application Reference

- Road lighting
- Area lighting
- Perimeter lighting



> Comparison of Project Remodeling



Parameter Table

Electrical Data											
Model	AOK-20WIL02	AOK-30WIL02	AOK-40WIL02	AOK-50WIL02	AOK-60WIL02	AOK-70WIL02	AOK-80WIL02	AOK-90WIL02	AOK-100WIL02	AOK-120WIL02	
Input voltage	100-277VAC						100-277VAC				
THD (220Vac)	≤10%						≤10%				
PF(220Vac)	≥0.95						≥0.95				
Driver	Inventronics / Sosen / Philips. Class 1/ Class 2, EU										
Operating temperature	-40°C to 55°C (-40 °F to 131 °F)										
Control Option	DALI, 1-10V/ PWM / timer dimming, Nema, Presence detection sensor. Dim-to-Off with standby power <= 0.5W.										
Surge Protection	10kV / 20kV optional										
Photometric Data											
Efficacy(lm/W) (CRI 70Ra, 5000K) (Std Dev ±3%)	T201	156lm/W	155lm/W	150lm/W	148lm/W	146lm/W	144lm/W	144lm/W	143lm/W	141lm/W	137lm/W
	T211	155lm/W	154lm/W	147lm/W	145lm/W	143lm/W	141lm/W	143lm/W	142lm/W	140lm/W	136lm/W
	T221	158lm/W	156lm/W	154lm/W	152lm/W	150lm/W	148lm/W	154lm/W	152lm/W	150lm/W	145lm/W
	T301	152lm/W	153lm/W	145lm/W	143lm/W	141lm/W	139lm/W	141lm/W	140lm/W	138lm/W	134lm/W
	T311	155lm/W	154lm/W	147lm/W	145lm/W	143lm/W	141lm/W	143lm/W	142lm/W	140lm/W	136lm/W
	T321	158lm/W	156lm/W	154lm/W	152lm/W	150lm/W	148lm/W	154lm/W	152lm/W	150lm/W	145lm/W
	T411	155lm/W	154lm/W	147lm/W	145lm/W	143lm/W	141lm/W	143lm/W	142lm/W	140lm/W	136lm/W
	Luminous flux (lm) (CRI 70Ra, 5000K) (Std Dev ±3%)	T201	3120lm	4650lm	6000lm	7400lm	8760lm	10080lm	11520lm	12870lm	14100lm
T211		3100lm	4620lm	5880lm	7250lm	8580lm	9870lm	11440lm	12780lm	14000lm	16320lm
T221		3160lm	4680lm	6160lm	7600lm	9000lm	10360lm	12320lm	13680lm	15000lm	17400lm
T301		3040lm	4590lm	5800lm	7150lm	8460lm	9730lm	11280lm	12600lm	13800lm	16080lm
T311		3100lm	4620lm	5880lm	7250lm	8580lm	9870lm	11440lm	12780lm	14000lm	16320lm
T321		3160lm	4680lm	6160lm	7600lm	9000lm	10360lm	12320lm	13680lm	15000lm	17400lm
T411		3100lm	4620lm	5880lm	7250lm	8580lm	9870lm	11440lm	12780lm	14000lm	16320lm
ULR		= 0%, @ Luminaire inclination 0°									
CCT	2700K, 3000K, 4000K, 5000K, 5700K, 6500K										
CRI	70Ra, 80Ra, 90Ra optional										
Beam angle	T2/T3/T4										
LED Manufacturer	LUMILEDS/Seoul										
LED model	Lumileds 3030, 5050/Seoul3030, 5050										
Lens	Polycarbonate+tempered glass(5 mm thick)						Polycarbonate+tempered glass(4 mm thick)				
Mechanical Data											
IP/IK	IP66/IK09, according to standard EN 60529 and EN 62262						IP66/IK08, according to standard EN 60529 and EN 62262				
Vibration resistance	3G, conform to standard IEC 68-2-6.										
SCx	Front: 0.014 m²; Side: 0.0214 m²						Front: 0.0219 m²; Side: 0.035 m²				
Materials	Heavy-duty die-cast aluminum (EN AC-46100)										
Painting	Black, Silver, Gray, Custom request										
Surface treatment	Anti-UV thermosetting polyester / 80 micron epoxy primer + Anti-UV thermosetting polyester (for extremely corrosive environments).										
Cable	Pre-wired with a roughly 50 cm cable (Other lengths on request)										
Mounting	Side Entry						Side Entry/Post Top				
Others											
Lifespan	L70 > 100000hrs, @Ta 25°C										
Warranty	5 years (Warranty extension up to 10 years on request)										
Product Size	470*230*79mm						646*240*137mm				
Carton size	520*270*135mm						715*290*200mm				
Net Weight	3.1kg						5.4kg				
Gross weight	4.0kg						6.1kg				
Recommend installation height	General 4-12m, based on actual project requirements										
Accessories(standard)	10KV SPD, breathing apparatus						Support rod, power failure protector, 10KV SPD, breathing apparatus				
Accessories(optional)	Photocell (with Nema socket)										
Application field	Urban and rural street										

Electrical Data												
Model	AOK-130WIL02	AOK-140WIL02	AOK-150WIL02	AOK-160WIL02	AOK-170WIL02	AOK-180WIL02	AOK-200WIL02	AOK-220WIL02	AOK-230WIL02	AOK-300WIL02		
Input voltage	100-277VAC						100-277VAC					
THD (220Vac)	≤10%						≤10%					
PF(220Vac)	≥0.95						≥0.96					
Driver	Inventronics / Sosen / Philips. Class 1/ Class 2, EU											
Operating temperature	-40°C to 55°C (-40 °F to 131 °F)						-40°C to 50°C (-40 °F to 122 °F)			-40°C to 50°C (-40 °F to 122 °F)		
Control Option	DALI, 1-10V/ PWM / timer dimming, Nema, Presence detection sensor. Dim-to-Off with standby power <= 0.5W.											
Surge Protection	10kV / 20kV optional											
Photometric Data												
Efficacy(lm/W) (CRI 70Ra, 5000K) (Std Dev ±3%)	T201	135lm/W	130lm/W	128lm/W	145lm/W	143lm/W	141lm/W	137lm/W	141lm/W	139lm/W	132lm/W	
	T211	134lm/W	129lm/W	127lm/W	144lm/W	142lm/W	140lm/W	136lm/W	140lm/W	138lm/W	132lm/W	
	T221	143lm/W	141lm/W	139lm/W	152lm/W	150lm/W	148lm/W	145lm/W	148lm/W	146lm/W	140lm/W	
	T301	132lm/W	127lm/W	125lm/W	141lm/W	139lm/W	137lm/W	133lm/W	137lm/W	135lm/W	130lm/W	
	T311	134lm/W	129lm/W	127lm/W	144lm/W	142lm/W	140lm/W	136lm/W	140lm/W	138lm/W	131lm/W	
	T321	143lm/W	141lm/W	139lm/W	152lm/W	150lm/W	148lm/W	145lm/W	148lm/W	146lm/W	140lm/W	
	T411	134lm/W	129lm/W	127lm/W	144lm/W	142lm/W	140lm/W	136lm/W	140lm/W	138lm/W	132lm/W	
	Luminous flux (lm) (CRI 70Ra, 5000K) (Std Dev ±3%)	T201	17550lm	18200lm	19200lm	23200lm	24310lm	25380lm	27400lm	31020lm	31970lm	39600lm
		T211	17420lm	18060lm	19050lm	23040lm	24140lm	25200lm	27200lm	30800lm	31740lm	39600lm
		T221	18590lm	19740lm	20850lm	24320lm	25500lm	26640lm	29000lm	32560lm	33580lm	42000lm
T301		17160lm	17780lm	18750lm	22560lm	23630lm	24660lm	26600lm	30140lm	31050lm	39000lm	
T311		17420lm	18060lm	19050lm	23040lm	24140lm	25200lm	27200lm	30800lm	31740lm	39300lm	
T321		18590lm	19740lm	20850lm	24320lm	25500lm	26640lm	29000lm	32560lm	33580lm	42000lm	
T411		17420lm	18060lm	19050lm	23040lm	24140lm	25200lm	27200lm	30800lm	31740lm	39600lm	
ULR		= 0%, @ Luminaire inclination 0°										
CCT		2700K, 3000K, 4000K, 5000K, 5700K, 6500K										
CRI		70Ra, 80Ra, 90Ra optional										
Beam angle	T2/T3/T4											
LED Manufacturer	LUMILEDS/Seoul											
LED model	Lumileds 3030, 5050/Seoul3030, 5050											
Lens	Polycarbonate+tempered glass(4 mm thick)											
Mechanical Data												
IP/IK	IP66/IK08, according to standard EN 60529 and EN 62262											
Vibration resistance	3G, conform to standard IEC 68-2-6.											
SCx	Front: 0.0263 m²; Side: 0.0363 m²						Front: 0.0285 m²; Side: 0.0412 m²			Front: 0.0291 m²; Side: 0.433 m²		
Materials	Heavy-duty die-cast aluminum (EN AC-46100)											
Painting	Black, Silver, Gray, Custom request											
Surface treatment	Anti-UV thermosetting polyester / 80 micron epoxy primer + Anti-UV thermosetting polyester (for extremely corrosive environments).											
Cable	Pre-wired with a roughly 50 cm cable (Other lengths on request)											
Mounting	Side Entry/Post Top											
Others												
Lifespan	L70 > 100000hrs, @Ta 25°C											
Warranty	5 years (Warranty extension up to 10 years on request)											
Product Size	676*290*137mm						756*308*138mm			756*308*138mm		
Carton size	745*340*200mm						825*360*200mm			825*360*200mm		
Net Weight	6.0kg						6.8kg			8.2kg		
Gross weight	7.2kg						8.3kg			9.7kg		
Recommend installation height	General 4-12m, based on actual project requirements											
Accessories(standard)	Support rod, power failure protector, 10KV SPD, breathing apparatus											
Accessories(optional)	Photocell (with Nema socket)											
Application field	Urban and rural street											

IL02 Series Specification Sheet

*Due to the constant improvements in product development, individual parameters might change. Please refer to our sales or R&D team for most up-to-date content as specifications are subject to change without notice.

wally@ookledlight.com
+1 626-986-4050 (US)
+86 755 2357 9148 (CN)

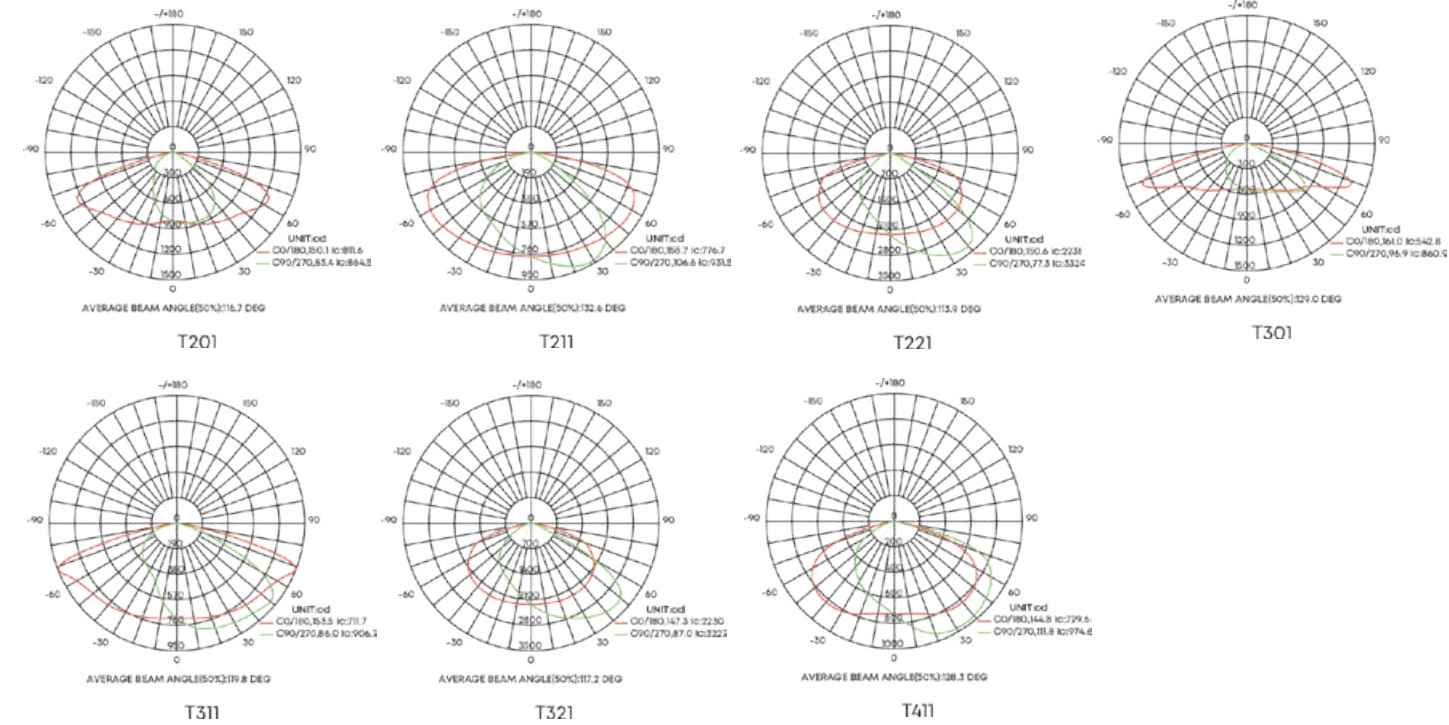
©2022 AOK LED LIGHT CO., LTD. All Right Reserved.



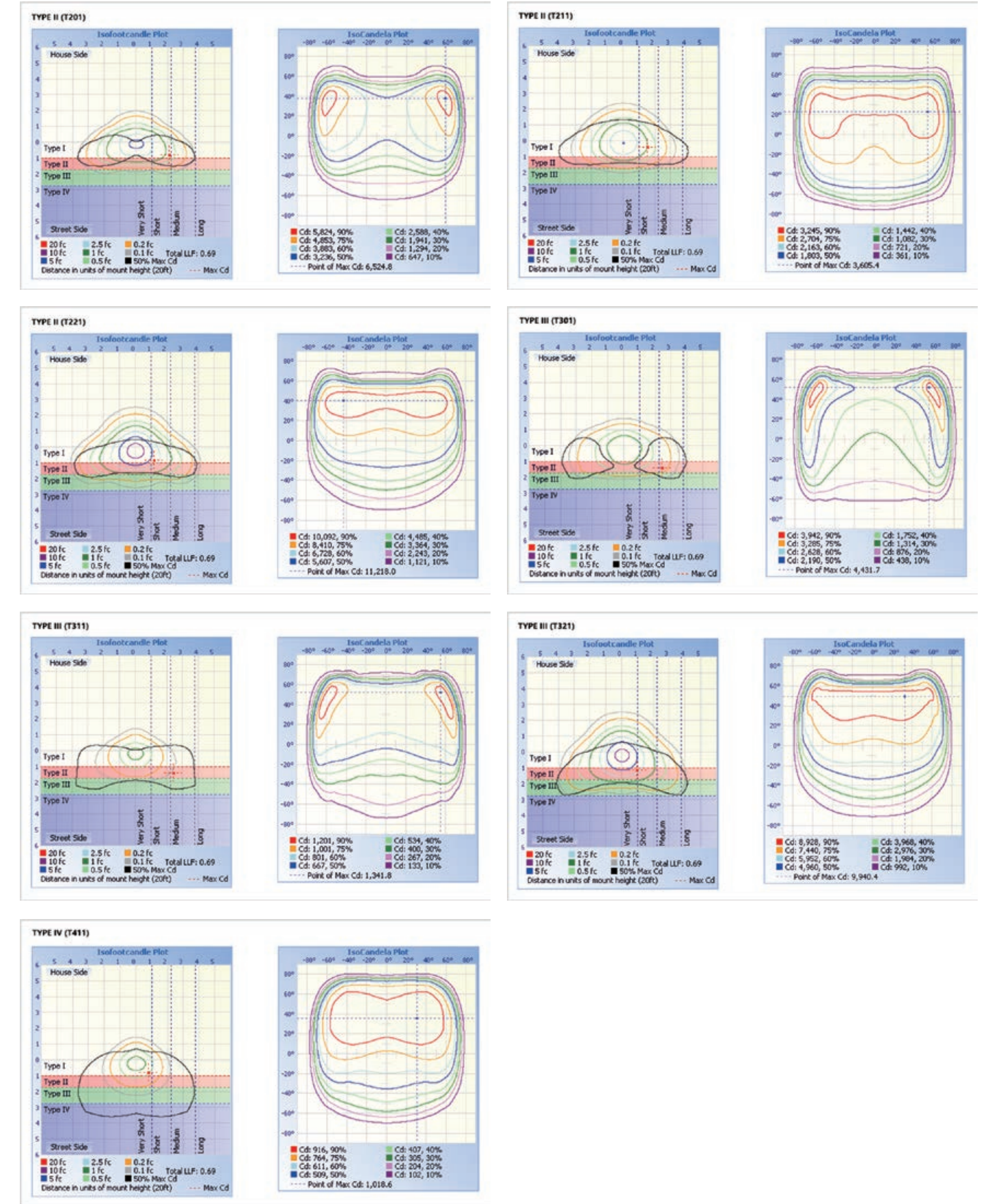
Ordering Information

AOK							
WATTS	VOLTAGE	LED CHIPS	TYPE OF SENSOR	CCT&CRI	DISTRIBUTION	HOUSING	OPTION
20WiL02	NV=100-277V	L3=LUMILED 3030	00=Without Sensor	2770=2700K 70CRI	T2=Type II	BK=Black	10KV SPD
30WiL02		L5=LUMILED 5050	PH=PhotoCell	3070=3000K 70CRI	T3=Type III	SI=Silver	20KV SPD
40WiL02		S3=Seoul 3030	DV=Dimmable	4070=4000K 70CRI	T4=Type IV	GR=Gray	
50WiL02		S5=Seoul 5050		5070=5000K 70CRI		Custom request	
60WiL02				5770=5700K 70CRI			
70WiL02				6570=6500K 70CRI			
80WiL02				2780=2700K 80CRI			
90WiL02				3080=3000K 80CRI			
100WiL02				4080=4000K 80CRI			
120WiL02				5080=5000K 80CRI			
130WiL02				5780=5700K 80CRI			
140WiL02				6580=6500K 80CRI			
150WiL02							
160WiL02							
170WiL02							
180WiL02							
200WiL02							
220WiL02							
230WiL02							
300WiL02							

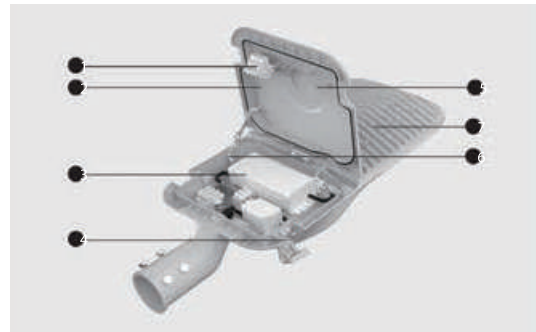
Photometry



Illuminance Diagram



Construction Features



1. Auto power cutoff protector, tool free electrical gear tray;
2. Heavy-duty die-cast aluminum housing, UV stabilized polyester powder paint;
3. Class I /Class II Dimmable driver;
4. Buckle design. Tool-less entry for easy maintenance;
5. Reserve a position for installing the sensor;
6. Supporting rod;
7. Fin shape radiator design, better heat dissipation to protect lifespan of fixture.

ELECTRICAL

- 1-10V/ PWM/ Timer dimming, 3 Timer Modes, Power Factor (PF) ≥0.95.
- Constant current Class II driver, 100-277Vac, 50-60Hz, Class I optional.
- High efficiency driver: up to 90%, minimum efficiency 85%.
- Input Surge Protection: 6kV line-line, 10kV line-earth, 20KV SPD available.
- Operating temperature rating: -40° F to 131° F (-40° C to 55° C).
- Photocell, Zhaga Base, Zigbee or Lora Lighting Controller available.
- Surge Protective Device 10KV~20KV.

CONSTRUCTION

- Tool-less entry hinged removable door for easy maintenance.
- Auto-electrical disconnection: Built-in circuit breaker, tool free electrical gear tray.
- UV stabilized polyester powder paint finish for durability and corrosion resistance.
- Multiple Mounting options: Post top and side entry installation available.
- Mounting has leveling adjustment from -10° to +15°
- 3G vibration rated.

Accessories

Mounting Options



Post Top



Side Entry

Control Options



Photocell



Shorting cap

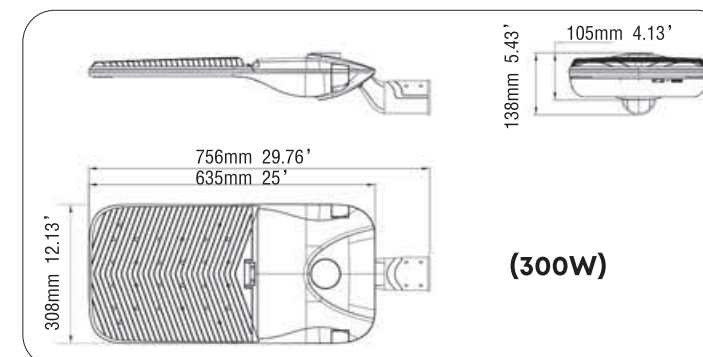
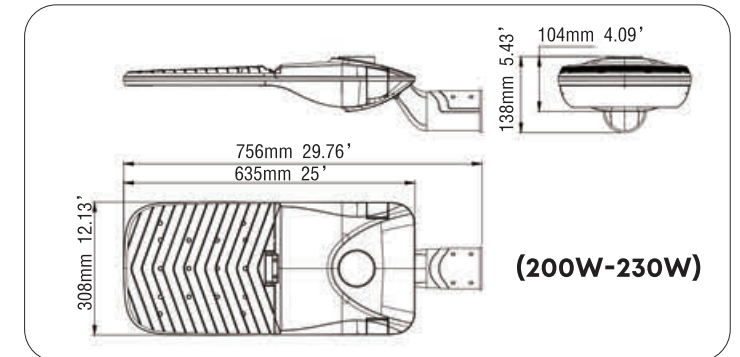
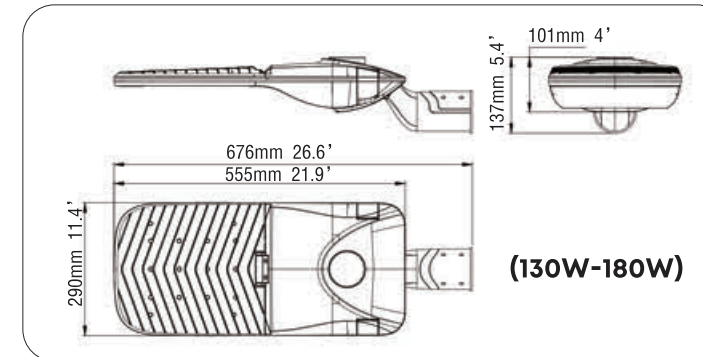
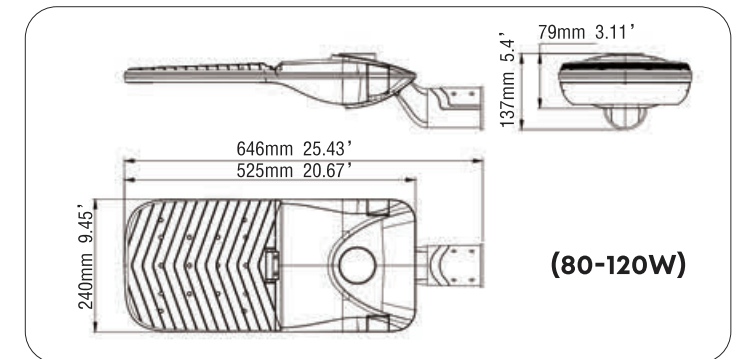
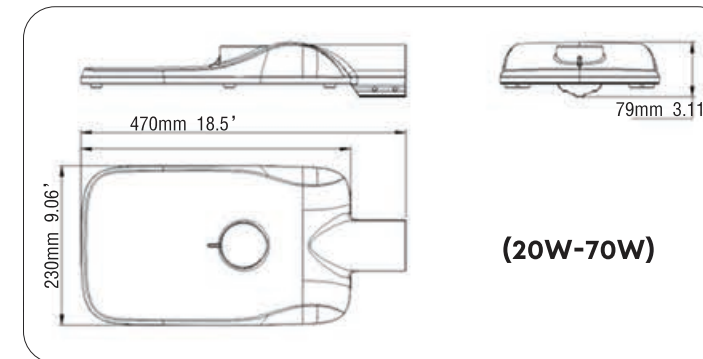


3 pin/7 pin receptacle



*As the products are upgraded, the accessories may differ from those described in the pictures. Please consult with our sales team for updated details and order separately.

Fixture Dimensions





Quality, Honesty, Service and Innovation

Illuminate Your Future



● WARRANTY

5 Year Limited Warranty,
10 Year Preferred Warranty.
Please consult with our sales for detailed agreement.

wally@aokledlight.com

www.aokledlight.com

+1 626-986-4050 (US)

+86 755 2357 9148 (CN)

Manufacturing: Building 1 & 4, St. George's Science and Technology Industrial Park, Shajing Street, Shenzhen, China, 518124.

Fuzhou HQ: Room 301, Yujing Business Center Zone 1, No. 12 Baihuazhou road, Cangshan district, Fuzhou, China, 350007

NorthAmerica HQ: 18541 E Gale Ave, City of Industry, CA91748 USA

Copyright ©2022 AOK LED LIGHT CO., LTD. All Right Reserved.