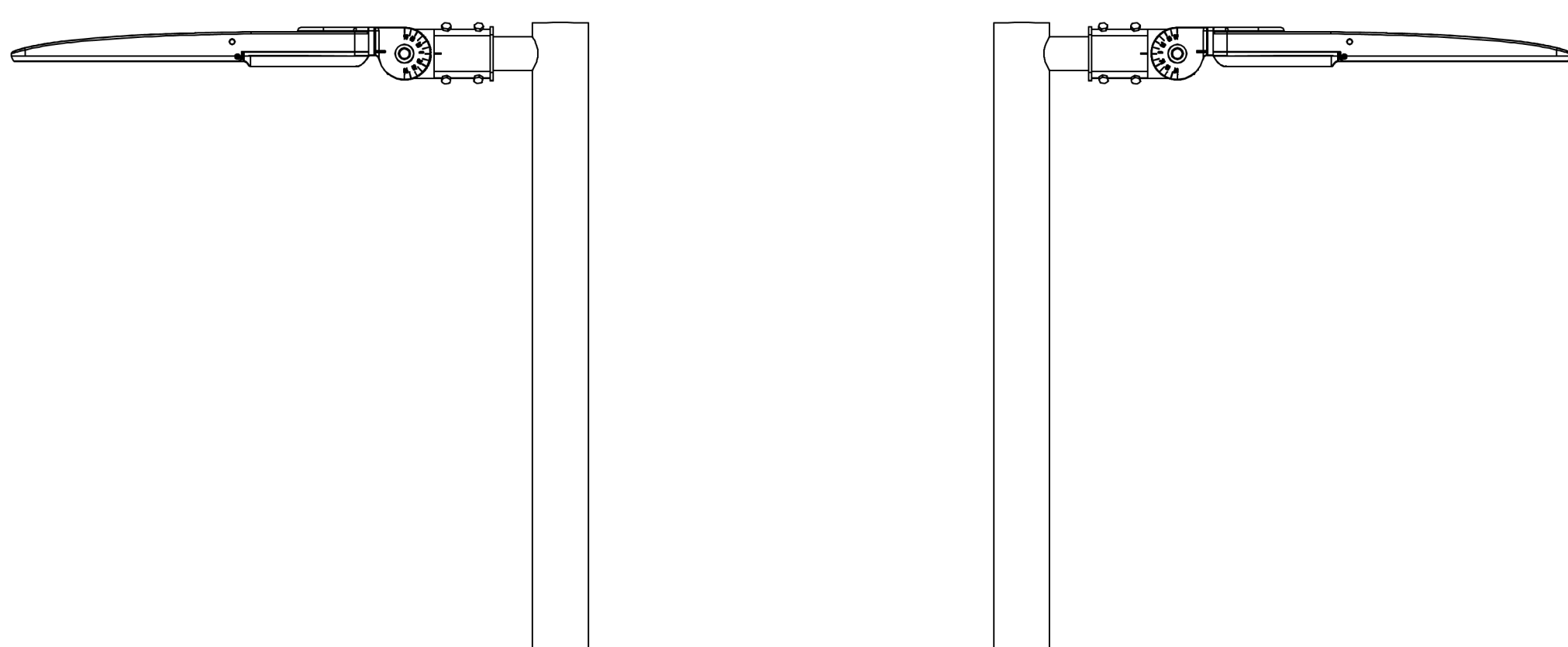


# LED Parking Lot Light Installation Instruction

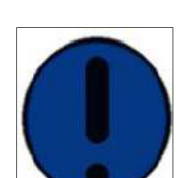


Please read the installation manual carefully before installation and keep the manual for future use.



## Warning

1. Electrician must have related certificates, knowledge and working experience. The work must be assigned to each electrician based on their position and responsibility.
2. The lens of parking lot lights modules are PC material, which will be scratched if handled carelessly. They must be protected and handled carefully during installation. When the face of luminaires is put downward, it must be protected with soft cloth or other protecting materials.
3. Installation must be proceeded when the electricity is shut off, no action be taken when there is electricity connected.
4. Construction must be proceeded according to related regulations, including the tools and equipments used. For example: working voltage range, Warning sign, flashing lamp, helmet, and working clothes etc.
5. Make sure the weather is suitable for high power electricity work when proceed construction.



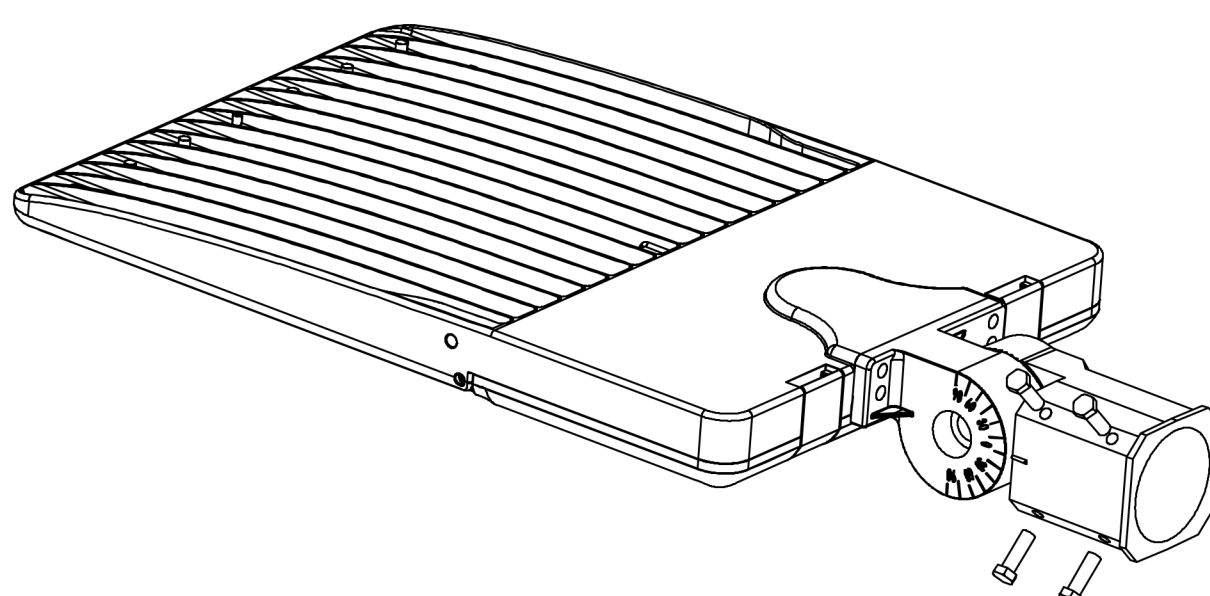
## Statement

1. The crane used to install the parking lot light must come with lifting platform, warning signs and flash lamp etc.
2. Electric power must be cut off before installation or maintenance of Parking Lot Light.
3. Maintenance must be performed by professional staff.

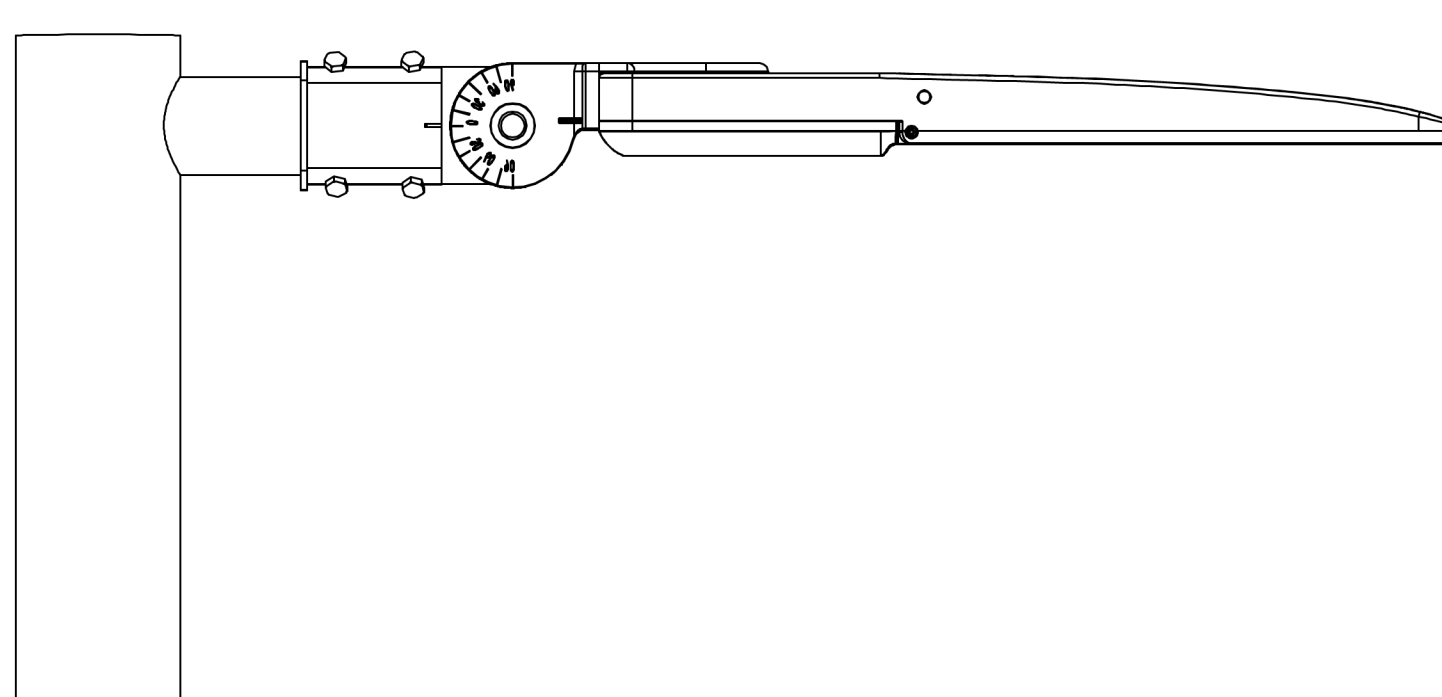
## Preparation for installation of LED parking lot light

Step 1: Open the package, remove the packing materials and take out the LED Lamp.

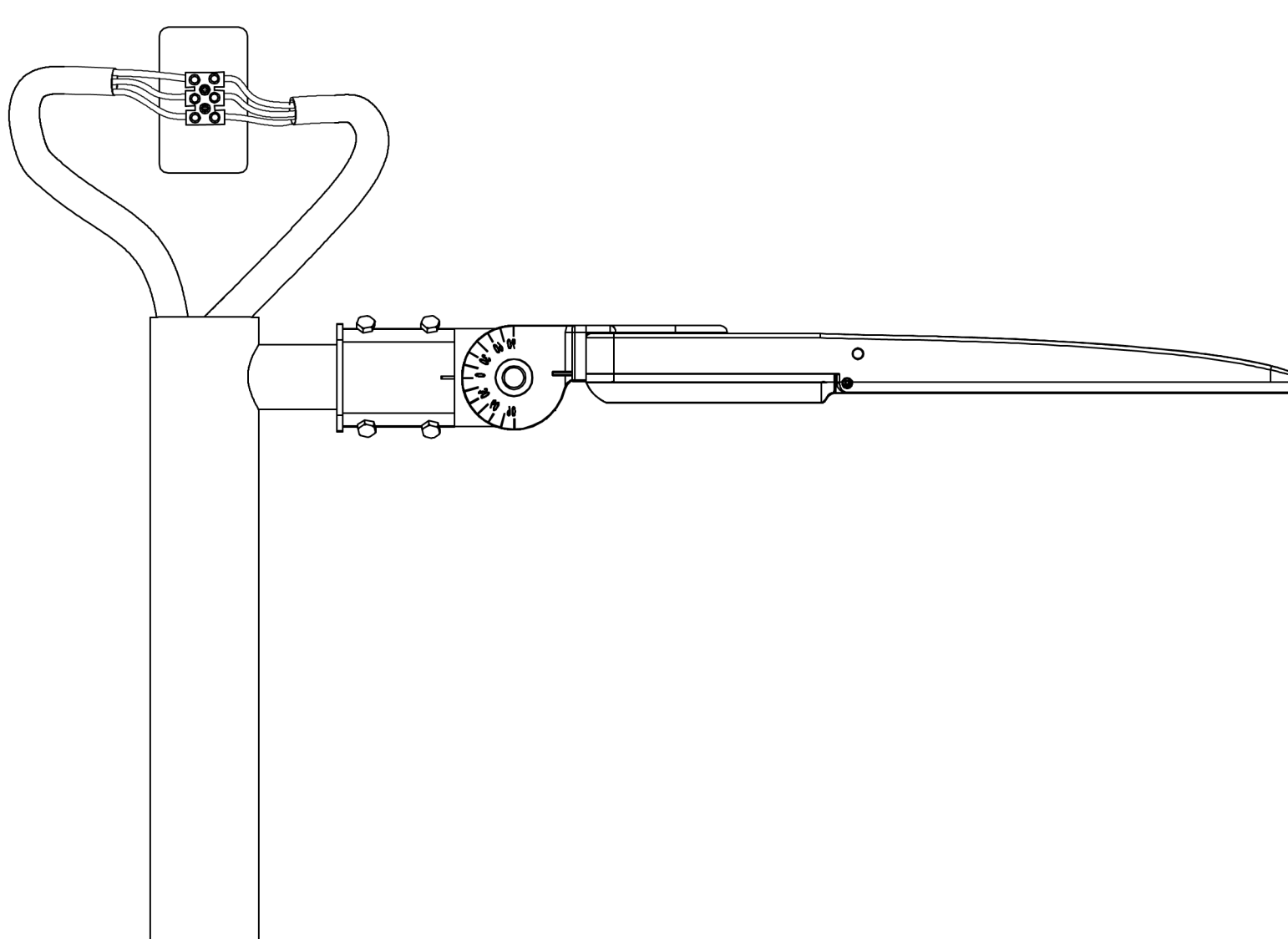
Step 2: Loose the two screws fixed on the bracket and take off the plate with Outer hexagonal screw driver. As following picture shown.



Step 3: Pass the cable from the hole in the bracket, install the lamp on the bracket, and tighten the screw



Step 4: Wiring, connect the L,N,GND wires on the lamp to the corresponding L,N,GND cables on the pole.



Step 5: The final installed lamps as the following pictures shown.

